

MONTIGO®

DIVINE

MULTI SIDED

DIVINE / PROUDLY HANDCRAFTED IN NORTH AMERICA

H38FSD

H42FSD

H38PF

HL38PF

H38PR

HL38PR

H38CL/CR

HL38CL/CR



DIVINE / LEGACY H SERIES



A NEW DIMENSION

DIVINE
MULTI SIDED

DIVINE / PROUDLY HANDCRAFTED IN NORTH AMERICA

H38FSD
H42FSD

See through
Direct vent

**DIVINE FSD
TRADITIONAL**

Standard

Traditional burner and logset

Heritage brick liner

Wrought iron grate

Hi-Lo flame adjustment

Options

Full function remote

Wall remote

Battery backup

Fan kit

Surrounds in satin black or stainless steel

**DIVINE FSD
CONTEMPORARY KIT**

Standard

Contemporary burner

Hi-Lo flame adjustment

Options

Firebeads, firestones, or fireglass

Full function remote

Wall remote

Battery backup

Fan kit

Surrounds in satin black or stainless steel

QUICK DIMENSIONS

	H38FSD*		H42FSD*	
	UNIT	FRAM.	UNIT	FRAM.
F.WIDTH	39 ⁵ / ₁₆	40 ³ / ₄	43 ⁵ / ₁₆	45
B.WIDTH	39 ⁵ / ₁₆	40 ³ / ₄	43 ⁵ / ₁₆	45
HEIGHT	40 ⁹ / ₁₆	42 ¹ / ₂	44 ³ / ₈	49 ¹ / ₂
DEPTH	24 ¹ / ₂	23 ³ / ₄	24 ¹ / ₂	24
VIEWING	35 ¹ / ₄ × 26 ³ / ₈		39 ³ / ₈ × 30 ³ / ₈	

BTU LISTING

H38FSDN / 34,000
H38FSDL / 32,000
H38FSDNI / 34,000
H38FSDLI / 32,000

H42FSDN / 37,000
H42FSDL / 37,000
H42FSDNI / 37,000
H42FSDLI / 37,000

EFFICIENCY

H38FSDN / FE 57.5
H38FSDL / FE 57.5
H38FSDNI / FE 58.5
H38FSDLI / FE 58.5

H42FSDN / FE 66
H42FSDL / FE 66
H42FSDNI / FE 68.3
H42FSDLI / FE 68.3



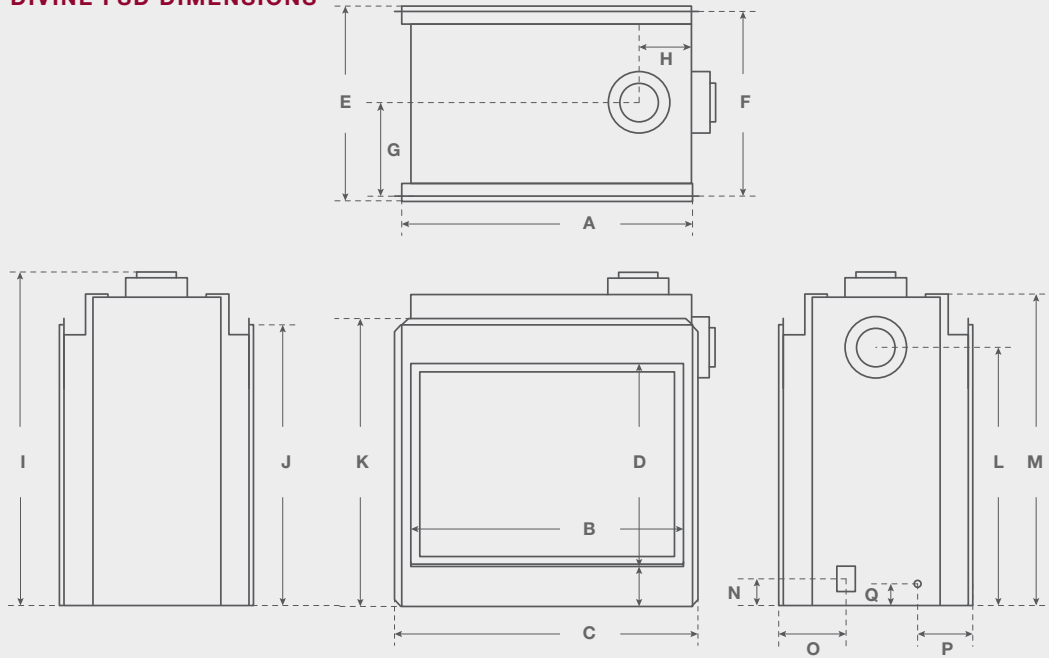


H34 / STAINLESS SURROUND



HLB34 / SATIN BLACK SURROUND

DIVINE FSD DIMENSIONS



	A	B	C	D	E	F	G	H	I	J	K	L	M	N	O	P	Q
H38FSD	37 ³ / ₄	35 ¹ / ₄	39 ⁵ / ₁₆	26 ³ / ₈	24 ¹ / ₂	24	12	6 ⁷ / ₈	43 ⁵ / ₁₆	36 ¹ / ₂	37 ⁵ / ₁₆	33 ³ / ₁₆	40 ⁹ / ₁₆	3 ⁵ / ₈	8 ⁵ / ₈	7 ³ / ₈	3
H42FSD	42	39 ³ / ₈	43 ³ / ₁₆	30 ³ / ₈	24 ¹ / ₂	24	12	6 ⁷ / ₈	46 ¹⁵ / ₁₆	40 ¹ / ₂	41 ⁵ / ₁₆	37 ³ / ₈	44 ³ / ₈	3 ⁵ / ₈	8 ⁵ / ₈	7 ³ / ₈	3



MONTIGO / DIVINE / H38FSDNI / TRADITIONAL LOGSET



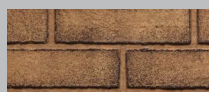
MONTIGO / DIVINE / H42FSDNI / TRADITIONAL LOGSET



REMOTE RX200**



WALL REMOTE REC1493



HERITAGE^Δ

^Δ Standard on H38FSD*1, H42FSD*1

OPTIONS & FEATURES



DIVINE
MULTI SIDED

Cornering the market

H38CL/CR

Corner
Direct vent

DIVINE CL/CR CONTEMPORARY

Standard

- Contemporary burner
- Hi-Lo flame adjustment
- Full function remote
- Battery backup

Options

- Firebeads, firestones, or fireglass
- Wall remote

DIVINE CL/CR TRADITIONAL

Standard

- Traditional burner and logset
- Heritage brick liner
- Wrought iron grate
- Hi-Lo flame adjustment
- Full function remote
- Battery backup

Options

- Wall remote

QUICK DIMENSIONS

H38CL/CR		
	UNIT	FRAM.
F.WIDTH	43 ³ / ₁₆	42
B.WIDTH	28 ¹ / ₈	42
HEIGHT	41 ¹ / ₁₆	46 ¹ / ₂
DEPTH	20 ³ / ₈	21 ³ / ₈
VIEWING	39 ¹ / ₂ x 28 ³ / ₄	

BTU LISTING

H38C*NI-2 / 34,000 BTU
H38C*LI-2 / 32,000 BTU

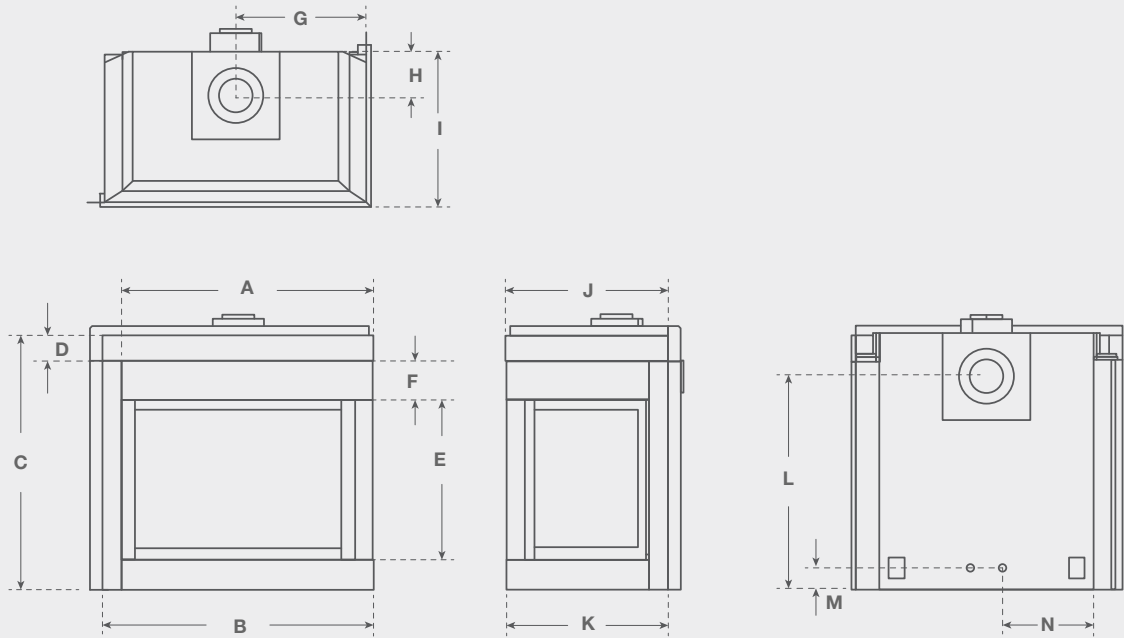
HL38C*NI-2 / 34,000 BTU
HL38C*LI-2 / 32,000 BTU

EFFICIENCY

H38C*NI-2 / FE 58.5
H38C*LI-2 / FE 58.5

HL38C*NI-2 / FE 58.5
HL38C*LI-2 / FE 58.5

DIVINE CL/CR DIMENSIONS



	A	B	C	D	E	F	G	H	I	J	K	L	M	N
H38C*	39 ³ / ₁₆	42 ³ / ₁₆	39 ⁵ / ₁₆	4	24 ¹³ / ₁₆	6	20 ³ / ₈	7	24 ¹ / ₄	25 ³ / ₈	22 ¹ / ₄	33 ¹ / ₄	3 ³ / ₁₆	14 ³ / ₁₆



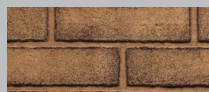
MONTIGO / DIVINE / HL38CRNI-2 / EBONY FIREBEADS



REMOTE^Δ
RX200**



WALL REMOTE
REC1493



HERITAGE[†]

^Δ Standard on all corner units
[†] Standard on H38C**I-2



DIVINE / PROUDLY HANDCRAFTED IN NORTH AMERICA

DIVINE
MULTI SIDED

Room divider

DIVINE PIER CONTEMPORARY

DIVINE PIER TRADITIONAL

Standard

- Contemporary burner
- Hi-Lo flame adjustment
- Full function remote
- Battery backup

Options

- Firebeads, firestones, or fireglass
- Wall remote

Standard

- Traditional burner and logset
- Heritage brick liner
- Wrought iron grate
- Hi-Lo flame adjustment
- Full function remote
- Battery backup

Options

- Wall remote

H38PF

Pier
Direct vent

QUICK DIMENSIONS

H38PF		
	UNIT	FRAM.
F.WIDTH	43 ³ / ₁₆	42
B.WIDTH	28 ¹ / ₈	42
HEIGHT	41 ¹ / ₁₆	46 ¹ / ₂
DEPTH	20 ³ / ₈	21 ³ / ₈
VIEWING	39 ¹ / ₂ × 28 ³ / ₄	

BTU LISTING

H38PFNI-2 / 34,000 BTU
H38PFLI-2 / 32,000 BTU

HL38PFNI-2 / 34,000 BTU
HL38PFLI-2 / 32,000 BTU

EFFICIENCY

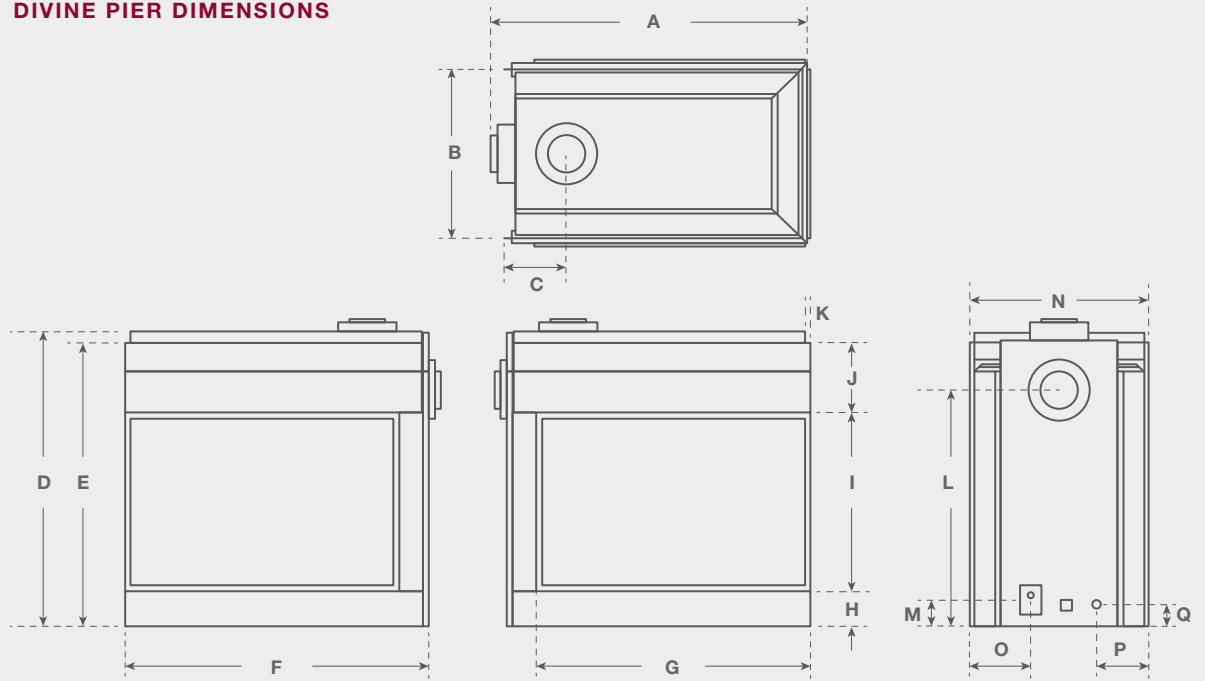
H38PFNI-2 / FE 58.5
H38PFLI-2 / FE 58.5

HL38PFNI-2 / FE 58.5
HL38PFLI-2 / FE 58.5





DIVINE PIER DIMENSIONS



	A	B	C	D	E	F	G	H	I	J	K	L	M	N	O	P	Q
H38PRC	44 ⁹ / ₁₆	23 ³ / ₈	8 ⁵ / ₈	41 ¹ / ₁₆	39 ⁵ / ₈	42 ¹ / ₂	38 ¹ / ₂	4 ⁷ / ₈	25 ¹ / ₁₆	9 ³ / ₄	1 ¹ / ₁₆	33	3 ¹¹ / ₁₆	25	8 ¹ / ₂	7 ⁵ / ₁₆	3 ¹ / ₁₆

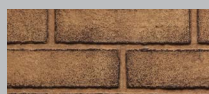
MONTIGO / DIVINE / H38PENI / TRADITIONAL LOGSET



REMOTE^Δ
RX200**



WALL REMOTE
REC1493



HERITAGE[†]

^Δ Standard on all pier units
[†] Standard on H38PF1-2



DIVINE
MULTI SIDED

180° of beauty

**DIVINE BAY
CONTEMPORARY**

**DIVINE BAY
TRADITIONAL**

H38PR

Bay
Direct vent

Standard

- Contemporary burner
- Hi-Lo flame adjustment
- Full function remote
- Battery backup

Options

- Firebeads, firestones, or fireglass
- Wall remote

Standard

- Traditional burner and logset
- Wrought iron grate
- Heritage brick liner
- Hi-Lo flame adjustment
- Full function remote
- Battery backup

Options

- Wall remote

QUICK DIMENSIONS

H38PR		
	UNIT	FRAM.
F.WIDTH	42 ¹³ / ₁₆	41
B.WIDTH	42 ¹³ / ₁₆	41
HEIGHT	42 ⁷ / ₈	44
DEPTH	26 ¹ / ₄	23 ³ / ₄
VIEWING	32 ¹ / ₈ x 24 ³ / ₄	

BTU LISTING

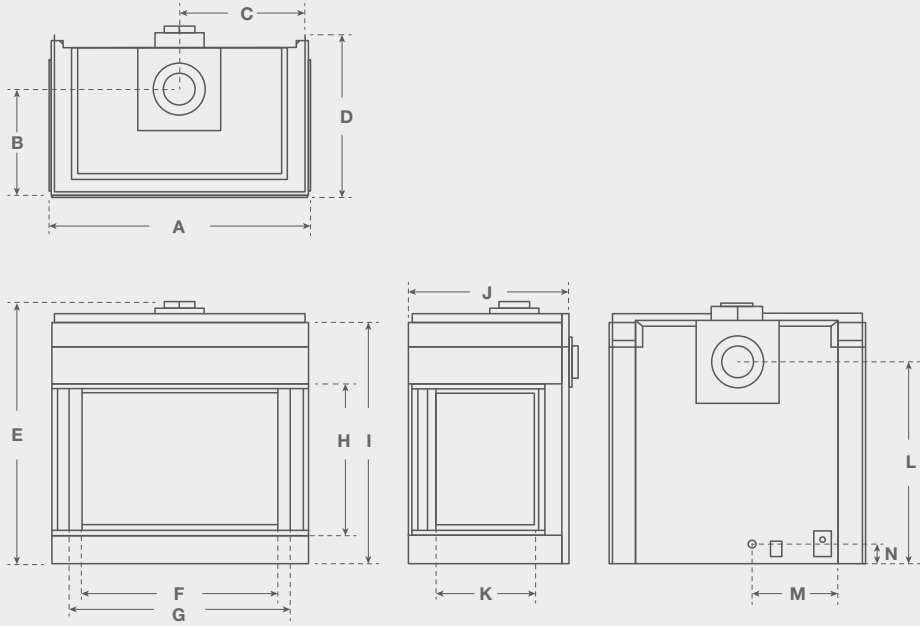
H38PRNI-2 / 34,000 BTU
H38PRLI-2 / 32,000 BTU

EFFICIENCY

H38PRNI-2 / FE 58.5
H38PRLI-2 / FE 58.5

H38PRNI-2 / FE 58.5
H38PRLI-2 / FE 58.5

DIVINE BAY DIMENSIONS



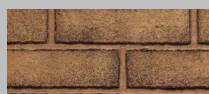
	A	B	C	D	E	F	G	H	I	J	K	L	M	N
H38PRC	42 ¹³ / ₁₆	17 ⁵ / ₁₆	20 ⁷ / ₁₆	26 ⁹ / ₁₆	42 ⁷ / ₈	32 ¹ / ₈	36 ³ / ₁₆	24 ³ / ₄	39 ⁵ / ₈	26 ¹ / ₄	16 ⁵ / ₁₆	33 ¹ / ₈	14 ³ / ₁₆	3 ³ / ₈



REMOTE^Δ
RX200**



WALL REMOTE
REC1493



HERITAGE[†]

^Δ Standard on all bay units
[†] Standard on H38PR¹-2



COPPER
HW1143

AMBER
HW1261

ICE
HW1157

GLACIER
HW1219B

PLATINUM
HW1144

ALABASTER
HW1260

OBSIDIAN
HW1113

ONYX
HW1259

MIEDIA

SAGE
HW1082

QUARTZ
HW1106

FROST
HW1112

EBONY
HW1091



Unit Specifications

Icon Legend

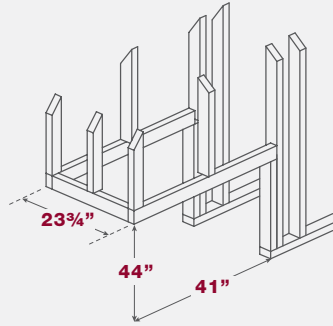
AVAILABLE +

NOT AVAILABLE -

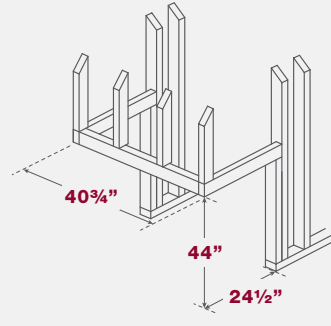
DEDICATED ◊

STANDARD ○

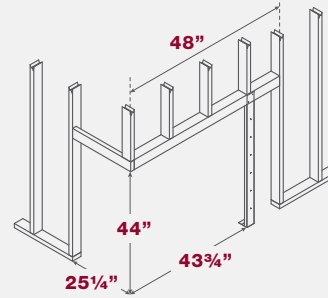
PIER FRAMING



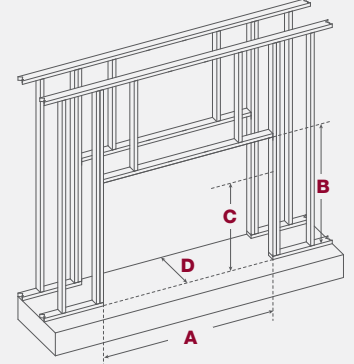
BAY FRAMING



CORNER FRAMING



SEE THROUGH FRAMING



NON COMBUSTIBLE STUD INCLUDED WITH UNIT

Approximate dimensions to center. For best results mount noncombustible stud onto unit, then bolt to 2x4 header and floor.

	A	B	C	D
H38FSD	40 3/4"	42 1/2"	N/A	23 3/4"
H42FSD	45"	49 1/2"	46 1/2"	24"

NON COMBUSTIBLE STUD INCLUDED WITH UNIT - NOT NEEDED FOR H38FSD

	BTU Natural Gas	BTU Liquid Propane	Venting	Clearance Top - Rear vent	Clearance Top - Top vent	Clearance Sides	Clearance Back	Clearance Floor	Front viewing area	Front glass type	Standard media	Invisimesh	Powervent	Remote control	Fans	Uplighting	Downlighting
H38FSD*	34,000	32,000	5"/8"	9	17 1/2	1	2	0	35 3/4 x 26 3/8	Tempered	Traditional	○	+	+	+	-	-
H38FSD*1	34,000	32,000	5"/8"	9	17 1/2	1	2	0	35 3/4 x 26 3/8	Tempered	Traditional	○	+	+	+	-	-
H42FSD*	37,000	37,000	5"/8"	9	17 1/2	1	2	0	39 3/8 x 30 3/8	Tempered	Traditional	○	+	+	+	-	-
H42FSD*1	37,000	37,000	5"/8"	9	17 1/2	1	1	0	39 3/8 x 30 3/8	Tempered	Traditional	○	+	+	+	-	-
H38PF*1-2	34,000	32,000	5"/8"	9	17 1/2	1	1	0	32 1/8 x 21 5/8	Tempered	Traditional	○	+	○	-	-	-
HL38PF*1-2	34,000	32,000	5"/8"	9	17 1/2	1	1	0	32 1/8 x 21 5/8	Tempered	HW1082	○	+	○	-	-	-
H38PR*1-2	34,000	32,000	5"/8"	9	17 1/2	1	1	0	32 1/8 x 24 3/4	Tempered	Traditional	○	+	○	-	-	-
HL38PR*1-2	34,000	32,000	5"/8"	9	17 1/2	1	1	0	32 1/8 x 24 3/4	Tempered	HW1082	○	+	○	-	-	-
H38CL*1-2	34,000	32,000	5"/8"	9	17 1/2	1	1	0	32 1/8 x 24 3/4	Tempered	Traditional	○	+	○	-	-	-
HL38CL*1-2	34,000	32,000	5"/8"	9	17 1/2	1	1	0	32 1/8 x 24 3/4	Tempered	HW1082	○	+	○	-	-	-
H38CR*1-2	34,000	32,000	5"/8"	9	17 1/2	1	1	0	32 1/8 x 24 3/4	Tempered	Traditional	○	+	○	-	-	-
HL38CR*1-2	34,000	32,000	5"/8"	9	17 1/2	1	1	0	32 1/8 x 24 3/4	Tempered	HW1082	○	+	○	-	-	-

1976: The Days Before Gas Fireplaces

In 1976, Montigo president and founder, Dan Binzer, started installing zero-clearance wood burning fireplaces for local builders in Vancouver, BC. Over the years, demand grew for a gas alternative, and Dan engineered and manufactured the first ever sandpan logset. The logset was installed in a zero-clearance wood burning fireplace hell, resulting in one of the first zero-clearance gas fireplaces on the market.

1985: Gas Fireplace Manufacturing Begins

Demand for gas grew rapidly, especially among multi-unit developments so Dan Binzer started a company called Canadian Heating that would offer full service design, engineering and manufacturing for gas fireplaces. Under the Montigo brand, Canadian Heating began manufacturing and selling a wide selection of zero-clearance gas fireplaces throughout Canada and in 1985 development began for the latest and greatest in gas fireplace technology – direct venting.

1994: Manufacturing Excellence is Achieved

Development and advancement of the gas fireplace continued over the years with continual developments to improve the efficiency of the fireplaces and perfected manufacturing processes to deliver an optimum fireplace each and every time – even for completely custom units.

Present: Leading the Way with Modern Fireplace Design

As one of the first to bring a linear designed fireplace to market, Montigo now offers the largest selection of linear fireplaces demanded by designers, architects and homeowners wanting to create a modern and contemporary space and homeowners wanting to create a modern and contemporary space.

for more inspiration go to
www.montigo.com

MONTIGO[®]
the art of **fireplaces**



Our Guarantee

Montigo[®] stands by the craftsmanship and durability of our products by providing a 15 year warranty on the burner and firebox in all our residential fireplaces. All made using steel milled in the United States.

ARCAT
Printed in Canada

XB2215